

1

Broken wire

2

Controller 1

TUCOR
INC

3D

3

4

Controller 2

TrV

TrV

Fountain

Landscape light

Sidewalk

FS

MV

1

Add flow meter and MV by using the wires for an existing valve and convert it into a 2-wire.
The controller must support flow sensor

2

Eliminate a broken wire by converting the wires from a nearby valve into a 2-wire. Add the control of a fountain.
For the fountain, the controller must support stations independent of rain alarm.

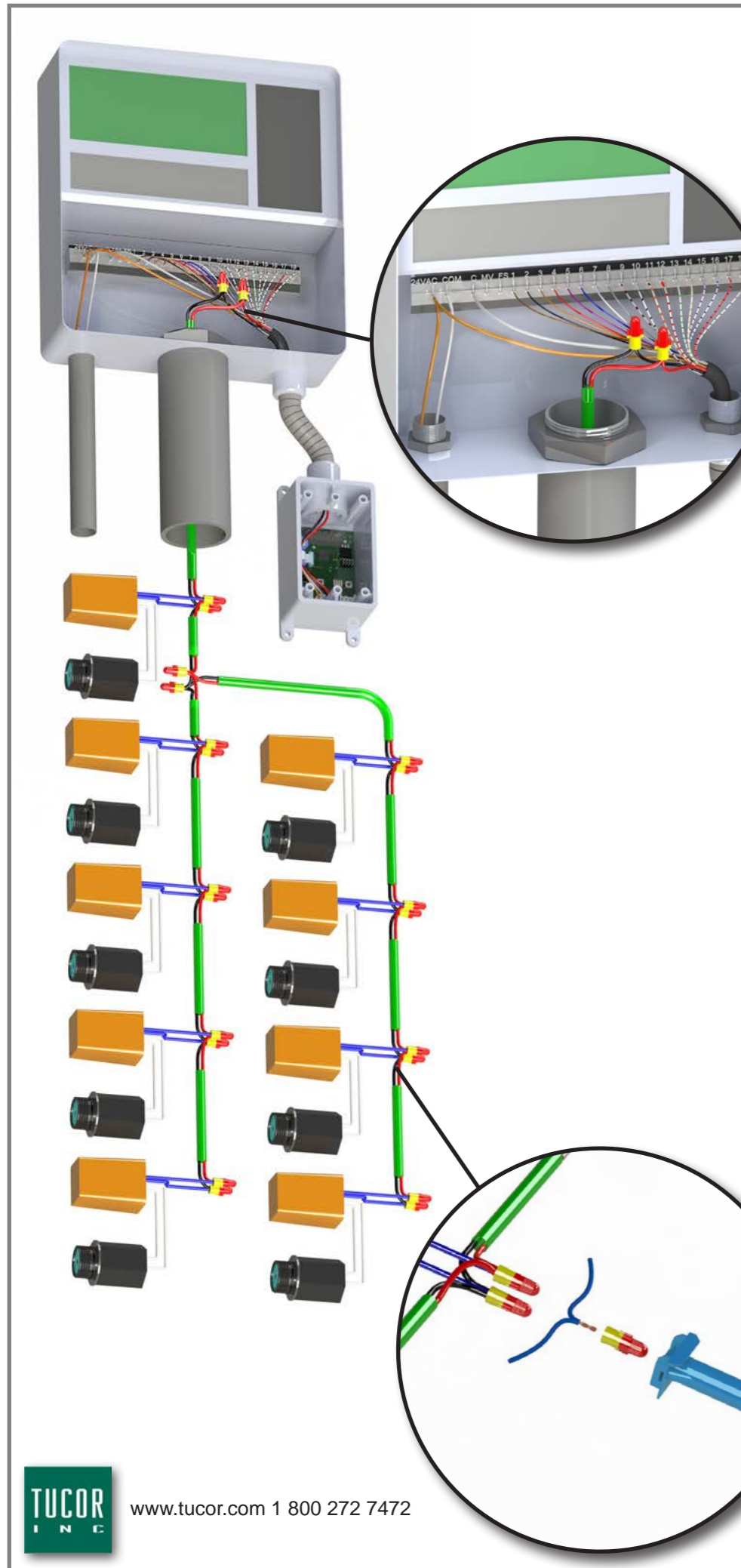
3

Add the control of the landscape lights to your existing controller via 2-wire.
For the landscape lights, the controller must support stations independent of rain alarm.

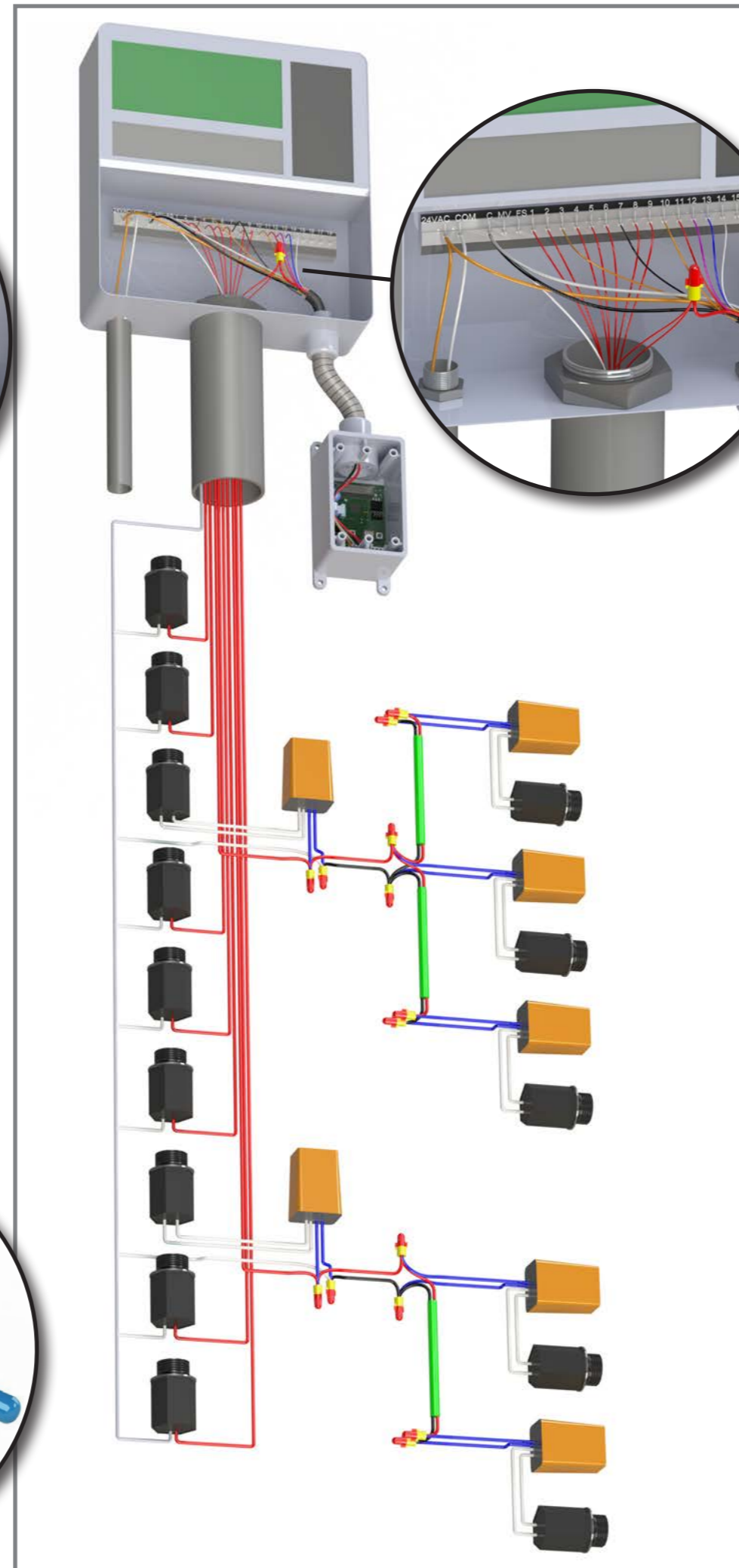
4

Abandon controller 2 by adding a 2-wire to controller 1.

Simple conversion to 2-Wire



Add Stations to existing system



Add Master Valve and Flow Meter to existing system

